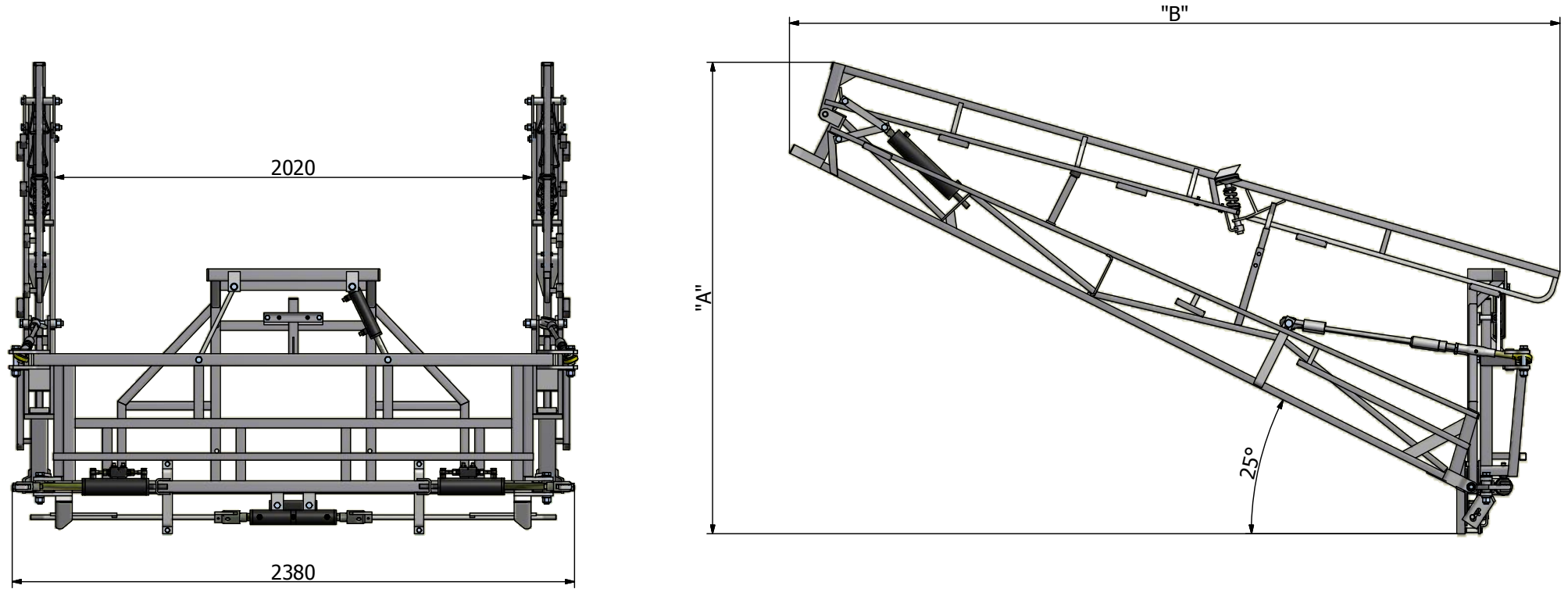


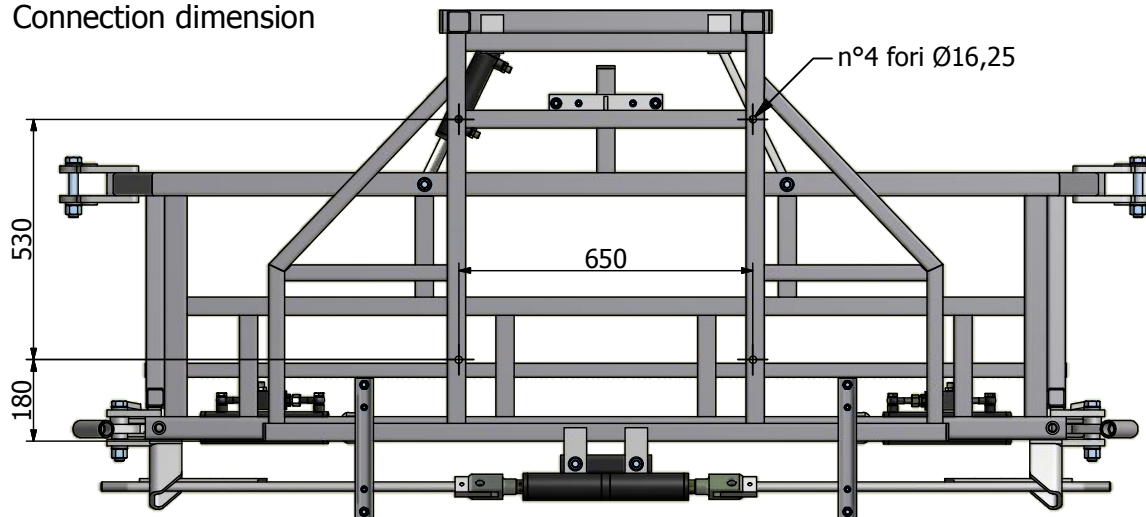
Barra Eur 15-16-18 - Misure per il trasporto

Eur boom 15-16-18 - Transport mode dimension



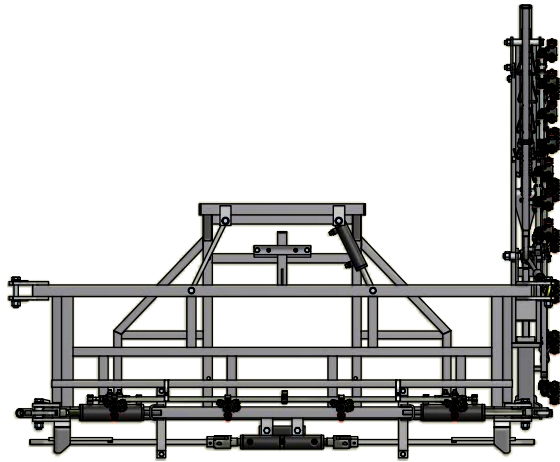
Misure di attacco

Connection dimension



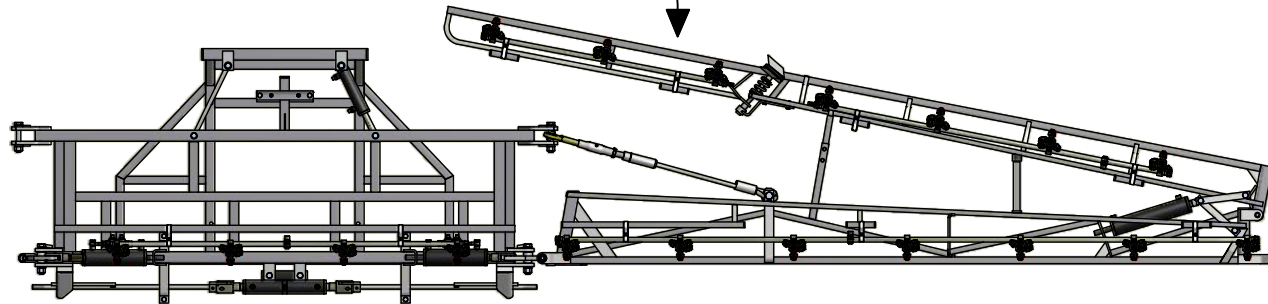
Dimension		
Version	A	B
15 mt.	2000	3260
16 mt.	2000	3750
18 mt.	2220	4220

Boom weight	
Version	Weight
15 mt.	299
16 mt.	309
18 mt.	330



Boom nozzles				
Version	A	B	C	D
15 mt.	4	7	4	2
16 mt.	4	7	4	3
18 mt.	4	8	4	4

Chiusura laterale intermedio - Lateral first arm folding



Chiusura verticale prolunga - vertical outer wing folding

